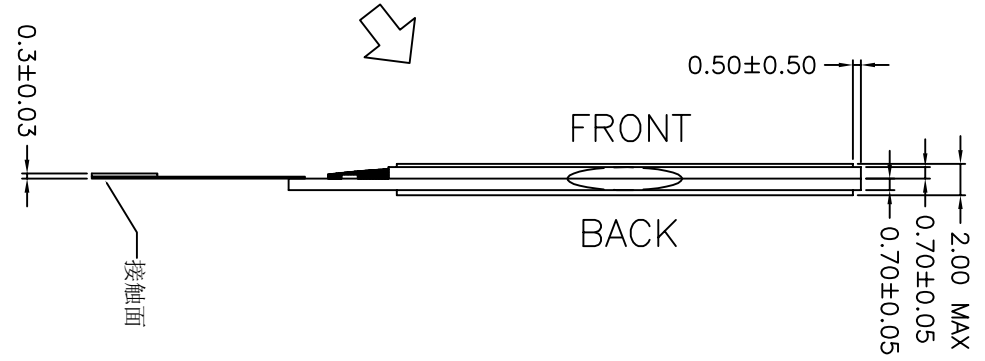
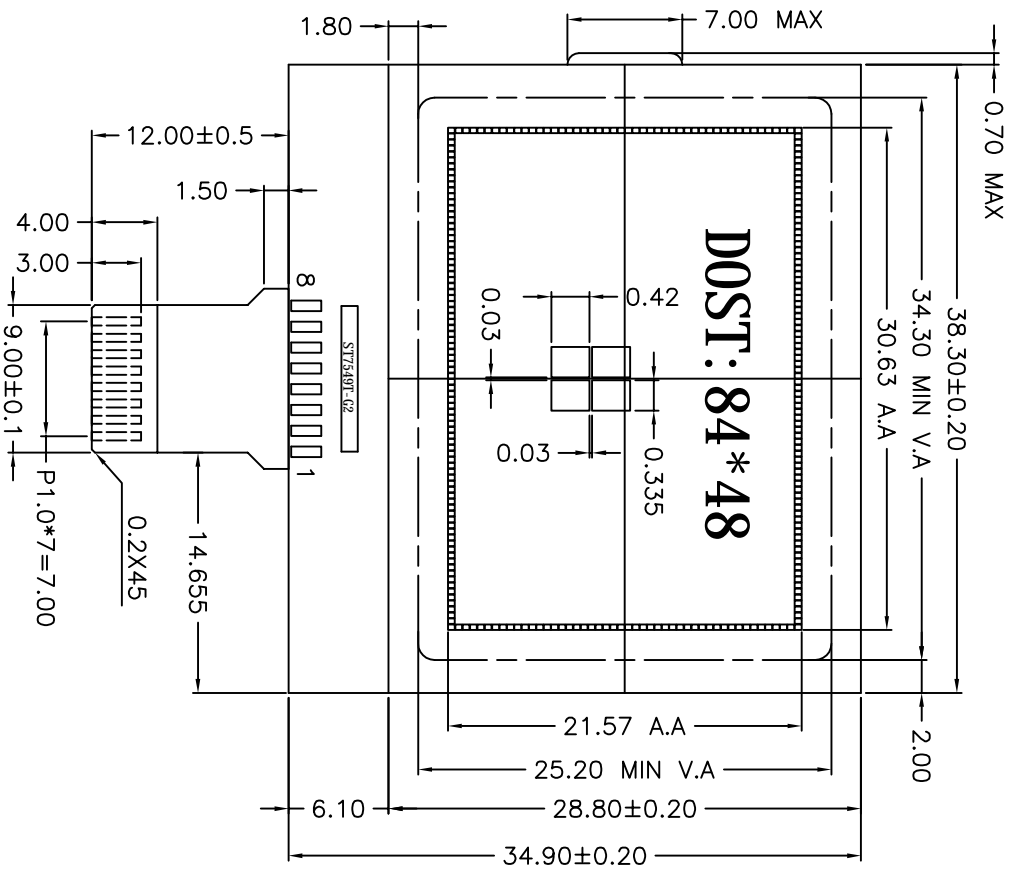


确认此型号所有图纸 签字确认。

修改版次	修改内容	DATE
C	修改管脚为FPC	2016-08-10



PIN	SYMBOL
1	VDD
2	RESB
3	CSB
4	A0
5	SDA
6	SCLK
7	VSS
8	VLCD

SPECIFICATIONS

FRONT POLARIZER : TRANSMISSIVE
 BACK POLARIZER : REFLECTIVE
 STORAGE TEMP : -30°C TO +80°C
 OPERATING TEMP : -20°C TO +70°C
 VIEWING DIRECTION : 12 O'CLOCK
 DRIVE CONDITION : 1/68D 1/9B, 8.6V
 DISPLAY MODE : FSTN, POSITIVE MODE
 CONNECTOR : PIN
 CUSTOMER P/N : Driver IC ST7549T-G2

GENERAL TOL: ±0.20 MM	UNITS MM	<p>WAYING (HONGKONG) SHARES LIMITED</p>	
CUS NO:	MODULE NUMBER:		
DRAW BY: ZXM	WYM8448K3		
CHK BY: LIQIN			
APP BY: 108	DO NOT SCALE THIS DRAWING.		
		PROJECTION	DATE: 2016.08.09